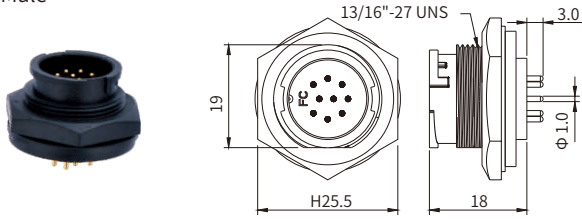


# M16

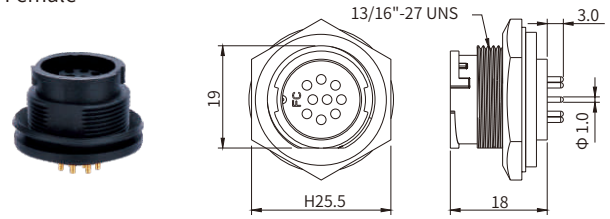
## M16 Straight Connector, Panel Mount, Quick-lock Type, PCB Type, Front fastened

Male



RoHS

Female



RoHS

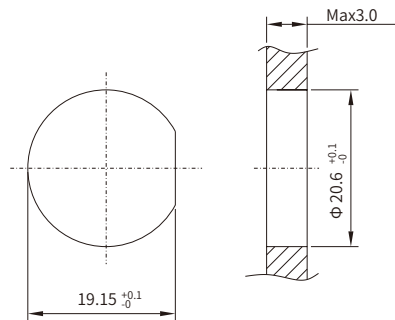
### Specifications

Contacts	8	9
Pin layout(Male)		
Pin layout(Female)		
Ambient temperature	-25°C ~ +90°C	
Connector insert	PA+GF	
Connector contacts	Brass with gold plated	
Coupling nut/screw	PA+GF	
Seal / O-ring	Epoxy resin / FKM	
Insulation resistance	≥100MΩ	
Contact resistance	≤5mΩ	
Earth tag/pin	Unavailable	
IP rating	IP65, IP67 in locked condition	
Mating endurance	>100 cycles	
Rated current	4A	
Rated voltage	250V AC / 300V DC	

### Part Number

Pins	Male	Female
8	MB16MBAFQ08ST	MB16FBAFQ08ST
9	MB16MBAFQ09ST	MB16FBAFQ09ST

### Panel Cut-out Dimensions



### PCB Layout

